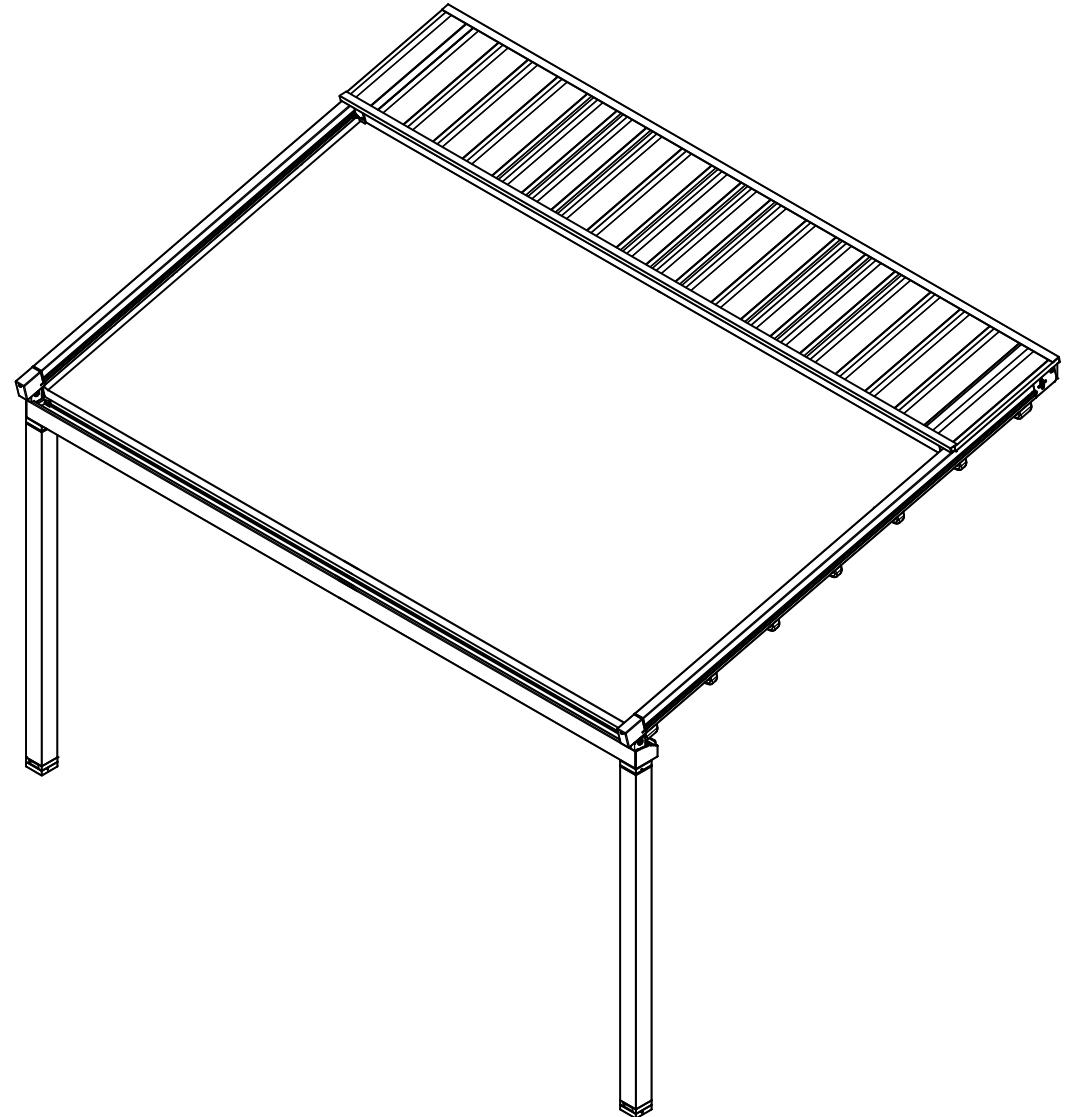


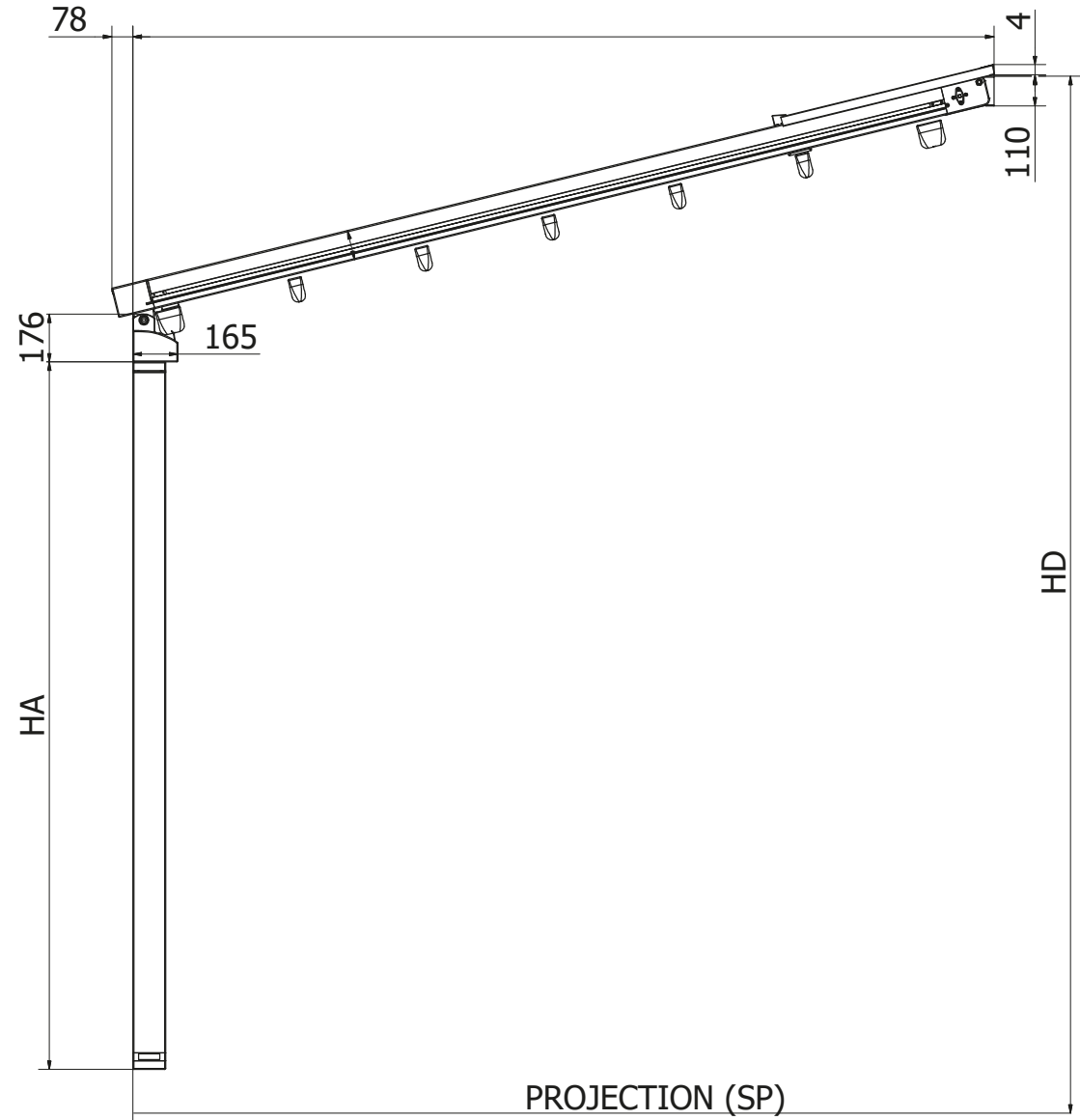
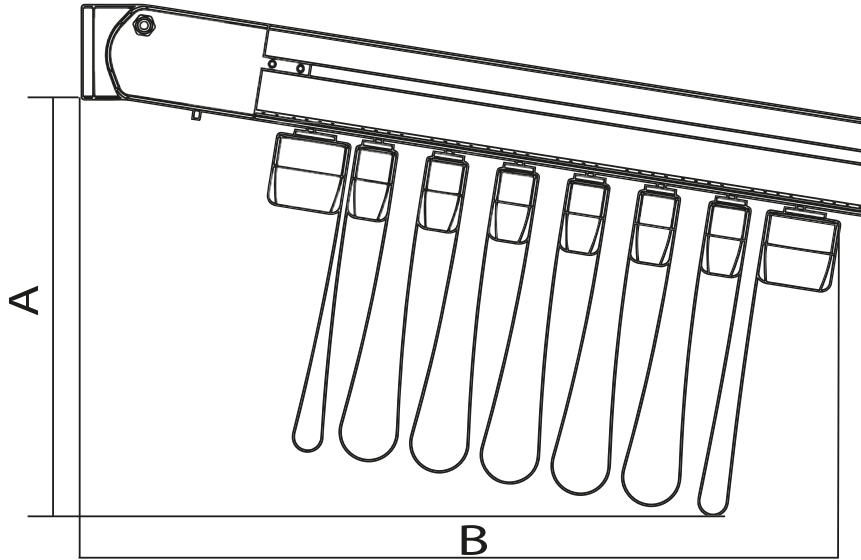


The S120PLUS is a sliding and openable awning (with fabric stretched when opened). All profiles (crossbars and guides) are made of extruded aluminum painted and accessories are in die-cast aluminum painted. The cover in darkening PVC, is composed of a single fabric and made with a special drip system. The movement is by means of an electronic motor and radio remote control.

Minimum inclination recommended for correct operation 15%.

Maximum dimensions		
	width	projection
1 Module	500	700
2 Modules	1000	650
3 Modules	1500	650





SP	A* CM	B* CM	P =
150	33,5	51	3
200	35	58	4
250	36,5	65	5
300	38	72	6
350	39,5	79	7
400	41	86	8
450	42,5	93	9
500	44	100	10
550	44,5	107	11
600	47	114	12
650	48,5	121	13
700	50	128	14

*INDICATIVE VALUES

SP PROJECTION
 A ENCUMBRANCE FABRIC IN HEIGHT
 (variable second inclination)
 B ENCUMBRANCE FABRIC IN PROJECTION
 P NUMBER OF PROFILES MOVEFABRIC
 (including terminal)

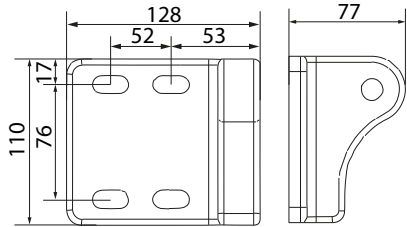
The distance between the profiles movefabric is never exceeding 60 cm.

HA= Height forward intended under the gutter

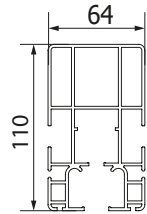
HD= Height intended over brackets(in the case in which it was present the canopy understanding above the canopy)

SP = Projection intended from wall to external leg

UNIVERSAL BRACKETS Wall Ceiling

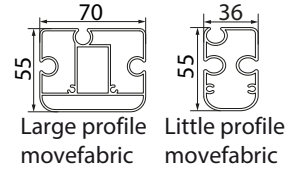


PROFILE GUIDE

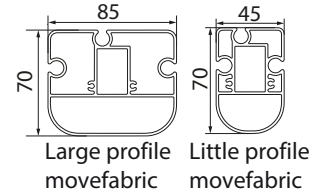


PROFILE MOVEFABRIC

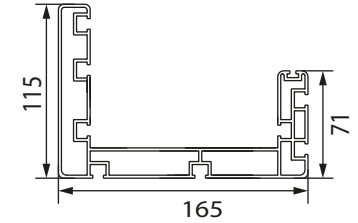
The S120 plus with wheelbase guides lower than 400 cm will be made with these profiles move fabric.



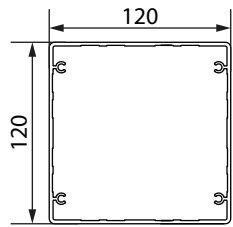
The S120 plus with wheelbase guides bigger than 400 cm will be made with these profiles move fabric.



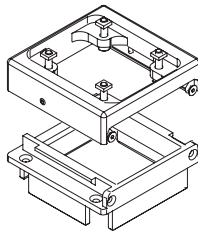
PROFILE FREESTANDING GUTTER



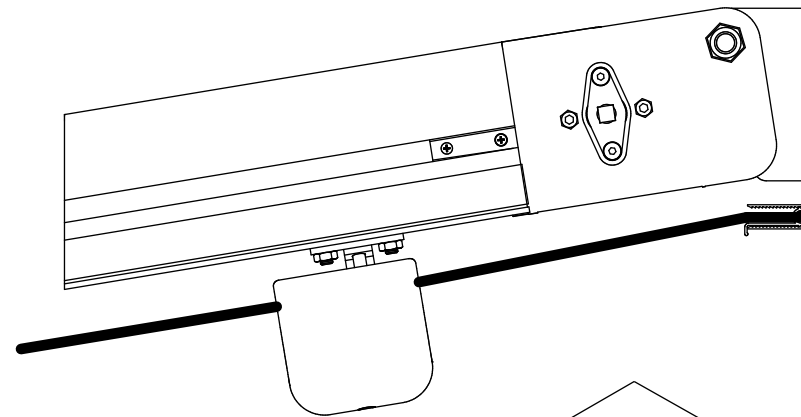
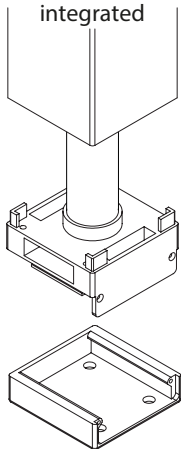
PROFILE LEG



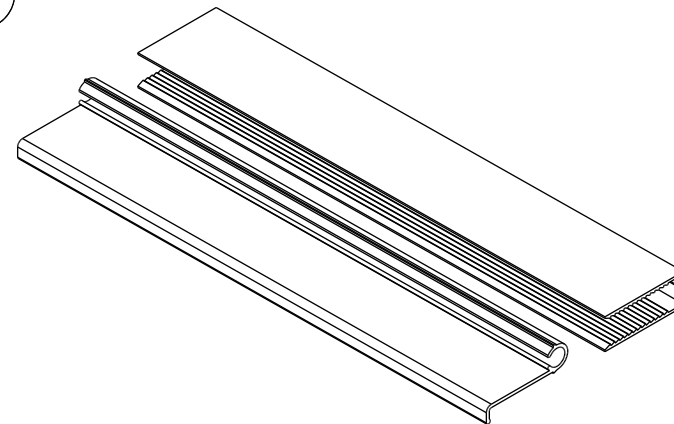
Brackets for leg



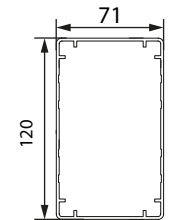
Foot with waterdrain integrated



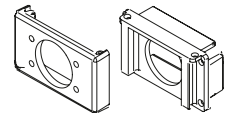
New system of fabric cover-motor



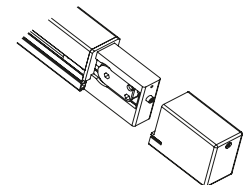
Canopy crossbar

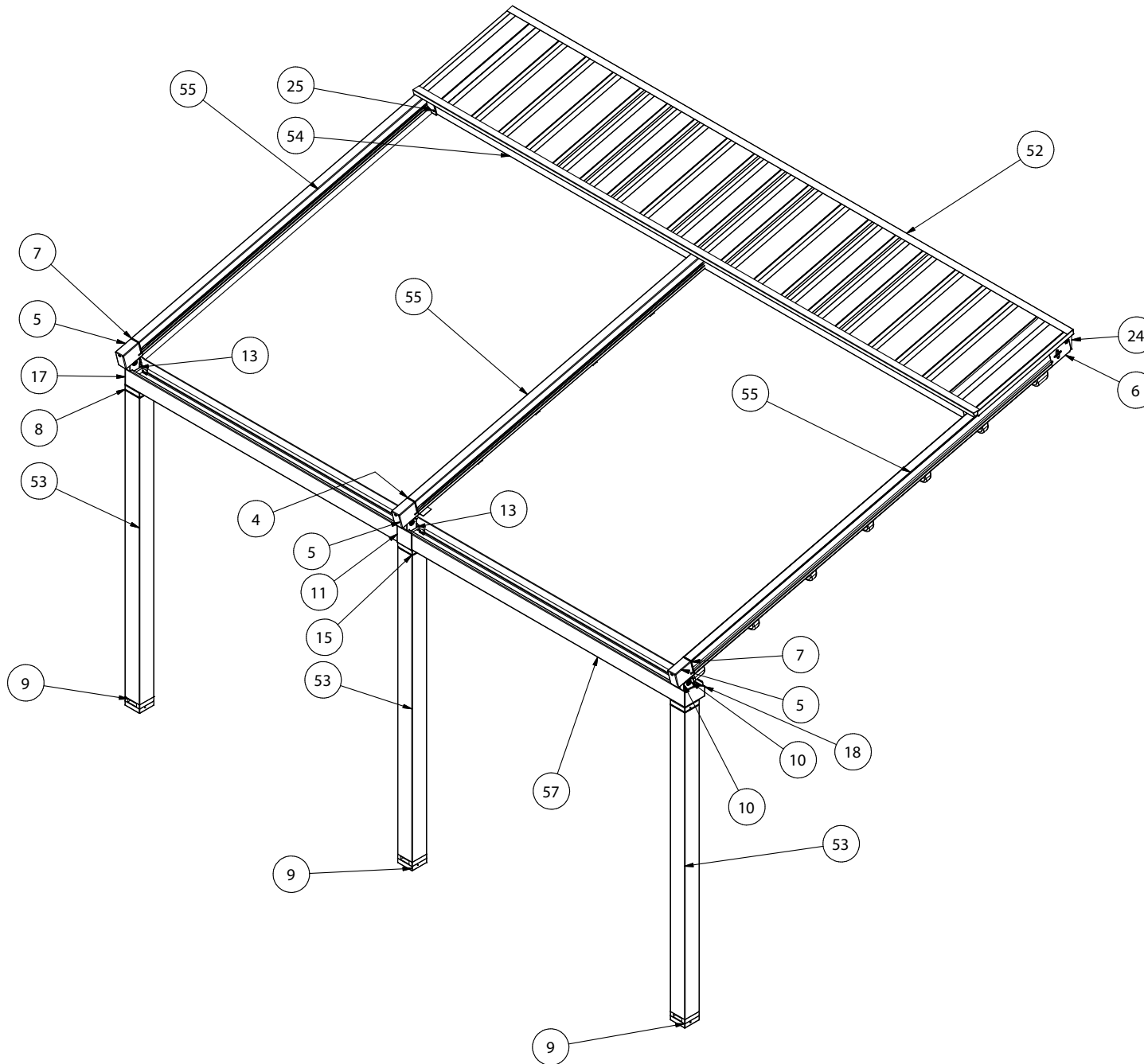


crossbar brackets



Belt tightener positioned inside the cap





1	1	V.S120-016	FERMO PORTATESSUTO S120 CENTRALE	32	10	V.CARR-025	CARRELLO LATERALE E095
2	1	V.S120-015	FERMO PORTATESSUTO S120 LATERALE	33	1	V.OPEN-214	ASSIEME BOCCOLA CENTRALE 0,014 kg
3	1	V.S120-009	PIASTRINO PERNO S120	34	2	V.S120-003	INSERTO GUIDA POSTERIORE S120 SX
4	1	V.S120-007	INSERTO GUIDA ANTERIORE S120 CEN	35	1	V.OPEN-152	PIASTRINO CON PERNO QUADRO 10 LUNGO
5	3	V.S120-004	TAPPO PUNTALE S120	36	1	V.TAPFQ85	CALOTTA 85 FORO QUADRO
6	1	V.S120-002	INSERTO GUIDA POSTERIORE S120 DX	37	1	V.PRNSZ1340A	PERNO QUADRO13 DOPPIO
7	2	V.S120-001	INSERTO GUIDA ANTERIORE S120 LATERALE	38	1	V.E095-046	PULEGGIA LATO PERNO QUADRO E095
8	2	V.OPEN-224	ASSIEME INSERTO GAMBA 120 - ATTACCO GRONDA	39	1	TUBO AVV S120	RUBIN MV S110 12,985 kg
9	3	V.OPEN-223	ASSIEME PIEDE 120	41.1	1	TUBO AVV S120 250	PROFILO AVVOLGITORE PERGOLA
10	1	V.OPEN-221	ASSIEME SUPPORTO GUIDA IN GRONDA DX	41.2	1	MOTORE OH 120	
11	1	V.OPEN-220	SUPPORTO GRONDA CENTRALE	40	3	SMCTPSE0630A	Vite svasata M6X30 UNI 5933
12	1	V.OPEN-209	PERNO ALZA CINGHIA S120	41	1	SMCTCEI0835A	VITE TCEI PF M8x35 A2 UNI5931 INOX
13	2	V.OPEN-205	ASSIEME SUPPORTO GUIDA IN GRONDA SX	42	1	SMCCUSC6001A	CUSCINETTO SFERE d12 D28 H8 SCHERM GOMMA
14	1	V.OPEN-196	DISTANZIALE TUBO 120x120	43	2	SMCATFS4232A	VITE AUTF TS 4,2x32C-H DIN7982 INOX
15	1	V.OPEN-188	INSERTO GAMBA 120	44	2	SMCTPSE0612A	VITE TPS ES INC M6X12 UNI 5933 INOX
16	1	V.OPEN-182	BOCCOLA SCARICO	45	1	SMCATFC3916A	VITE AUTF TC 3,9x16C-H DIN7981 ZN
17	1	V.OPEN-181	TAPPO GRONDA AUTOPORTANTE SX	46	2	SMCTCEI0640A	VITE TCEI M6x40 UNI5931 INOX
18	1	V.OPEN-180	TAPPO GRONDA AUTOPORTANTE DX	47	3	SMCDDQT0804A	DADO QUADRO M8 DIN562 ZN
19	3	V.OPEN-177	GINOCCHIO PICCOLO	48	1	SMCRNDL1528A	RONDELLA Di15 De28 UNI 6592 INOX
20	1	V.OPEN-166	PULEGGIA LATO PERNO TONDO MASCHIO E095	49	1	ISO 4035 - M14	Dadi esagonali bassi (smussati) - Gradi prodotto A e B
21	1	V.OPEN-165	PULEGGIA LATO PERNO TONDO FEMMINA E095	50	1	UNI 5737 -M14 x 65	Vite a testa esagonale Acciaio 0,107 kg
22	1	V.OPEN-153	COPERCHIETTO S110 DX	51	1		TUBO SCARICO
23	2	V.OPEN-129	STAFFA PS S110 SX	52	1		TETTOIA S120 TETTOIA
24	1	V.OPEN-128	STAFFA PS S110 DX	53	3	SPRDISE0107A_XPL	
25	2	V.MOTC-014	ATTACCO X TRAVE LISCIO S110	54	100 mm		PROFILO 70X120-S120
26	2	V.E095-008	PULEGGIA CONDOTTA E95	55	3		GUIDA S120
27	2	V.E095-007	TIRA PULEGGIA E95	56	1		GUARNIZIONE GRONDA S120
28	1	V.E095-005	PULEGGIA LATO MOTORE E095	57	1		CANALA CENTRALE
29	1	V.CARR-042	TIRACINGHIA E95 LATERALE	58	2		ASSIEME PRIMOTRAVE GRANDE S120
30	2	V.CARR-041	TIRACINGHIA E95 LATERALE				PORTATESSUTO GRANDE M155
31	5	V.CARR-026	CARRELLO CENTRALE E95	59	5		ASSIEME PORTATESSUTO PICCOLO S120
							PORTATESSUTO M155
				60	3		CINGHIA S120 FERMO CINGHIA SUPERIORE
				61	1		TELO S120
				62	1		GUIDA S120